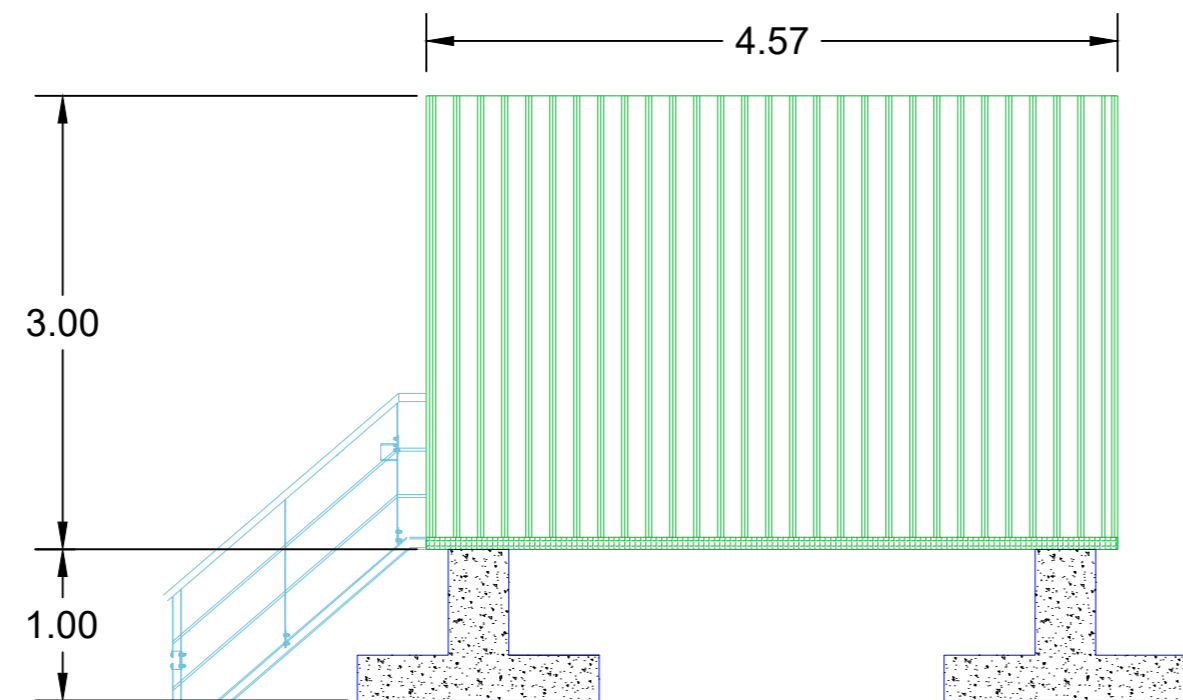
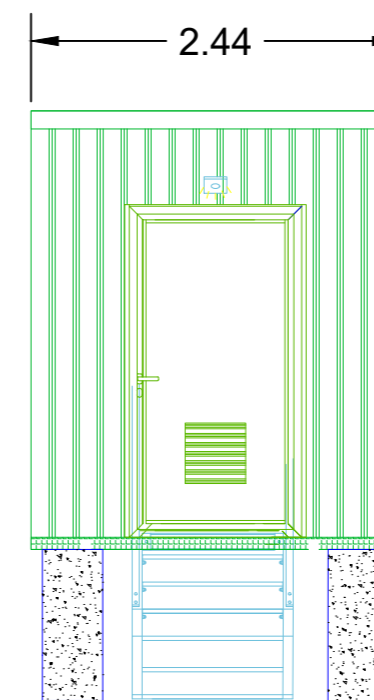


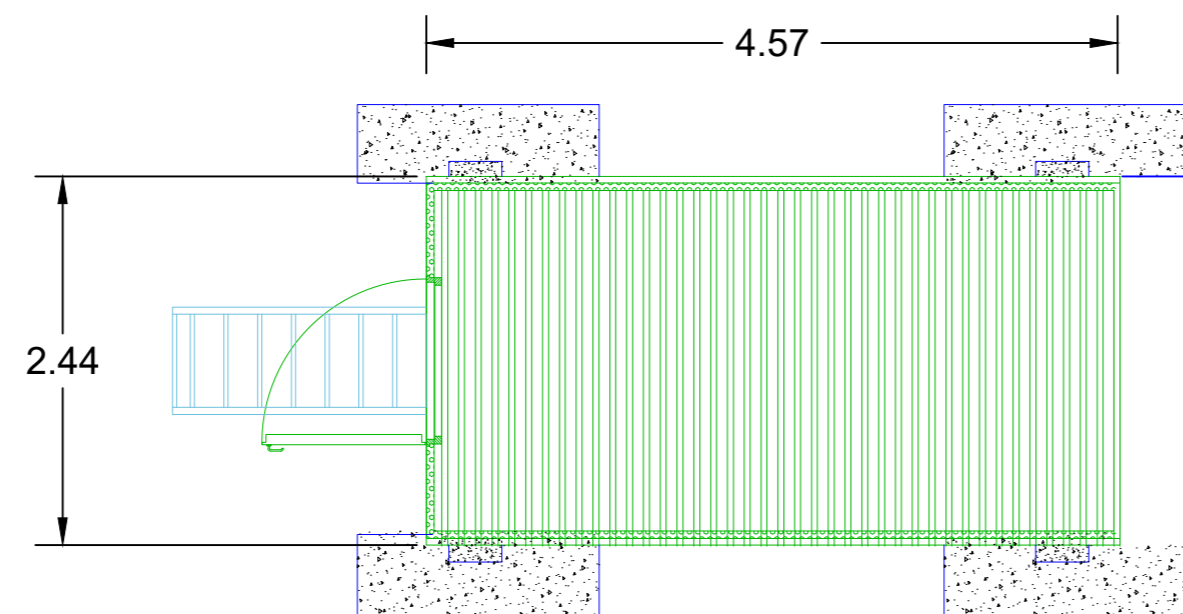
FRONT VIEW



SIDE VIEW



TOP VIEW



Legend:

Notes:
All measurements in metres unless otherwise stated
Do not scale from drawing



Company: Noriker Power	Revision	Version	Change Description	Drafted By	Checked By	Date	Transmission type:
	01	0.0	CREATED	EB	JW	11-05-23	P
	Project Title: BLACK HILLOCK 349MW						Intended Paper size: A2
Drawing Title: TYPICAL 15FTCONTROL-EL						Scale: 1:50	